

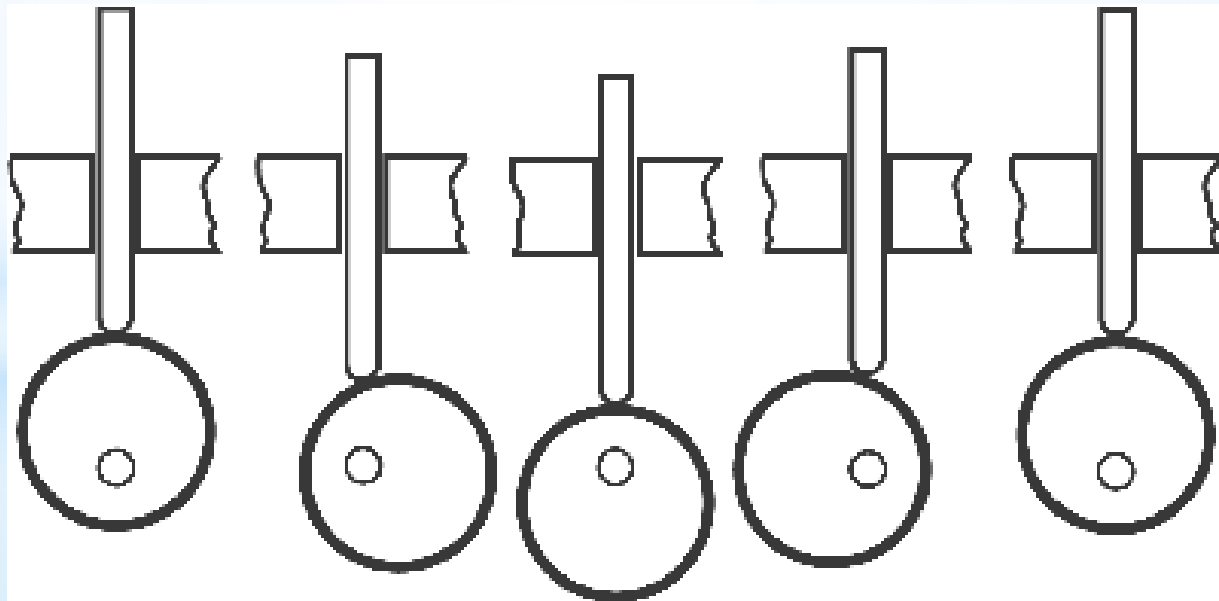
# *CAM PROFILE DRAWING*



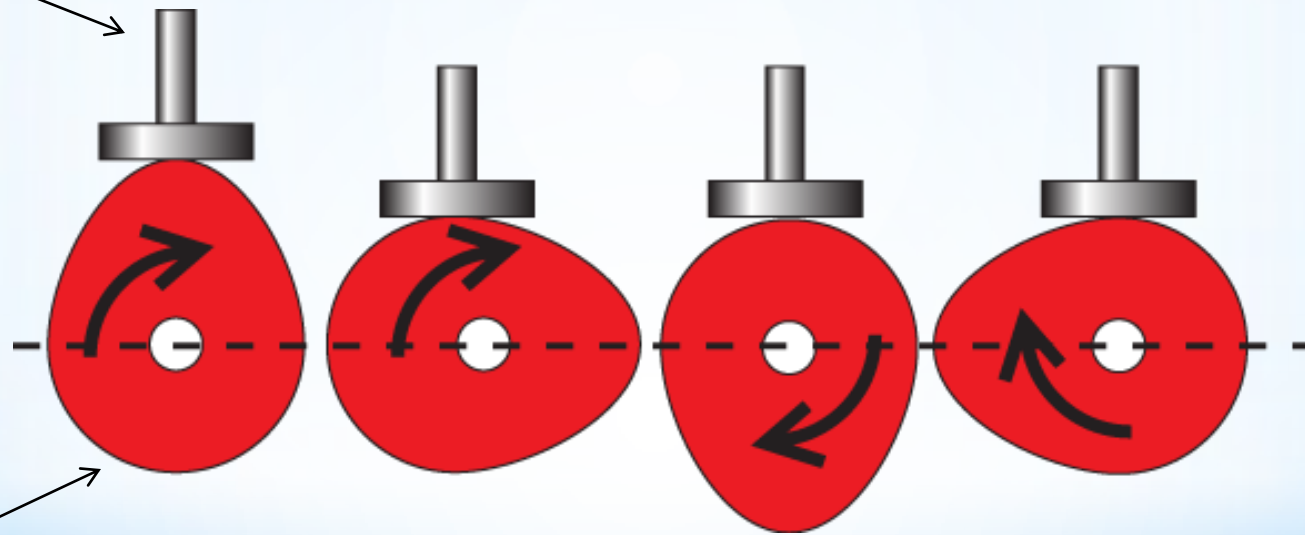
**Department of Mechanical Engineering  
Bangladesh University of Engineering and Technology**

**Partha Kumar Das**  
Lecturer, Dept. of ME, BUET

**ME 260: MECHANICAL ENGINEERING DRAWING-II**



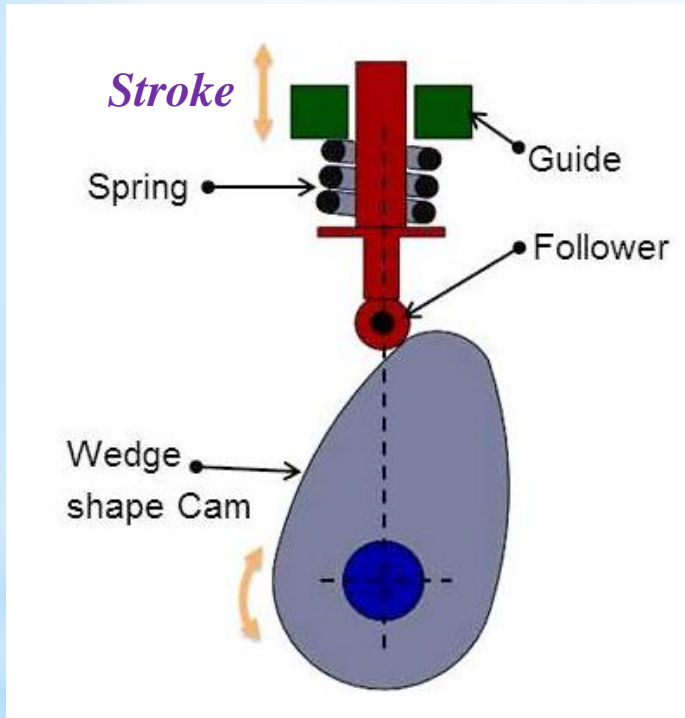
Follower



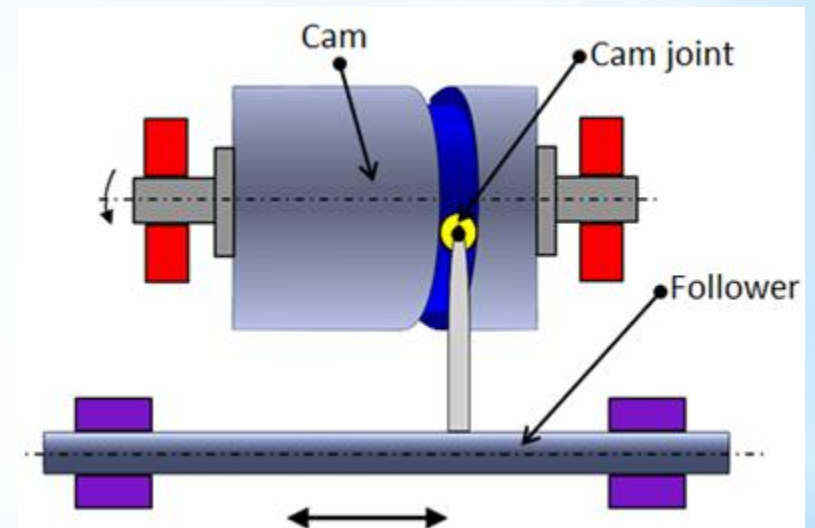
Cam

# TYPES OF CAMS

Radial/ Disc Cam

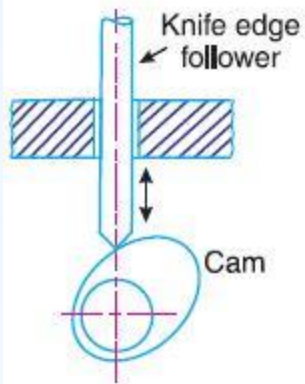


Cylindrical Cam

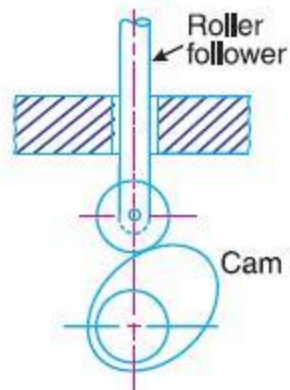


*Follower stroke*: The maximum distance a follower travels.

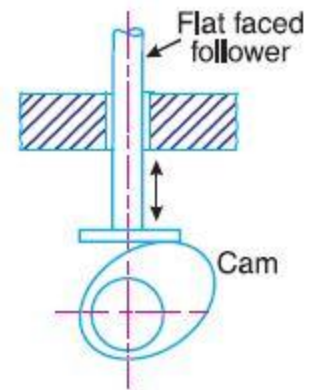
# TYPES OF FOLLOWER



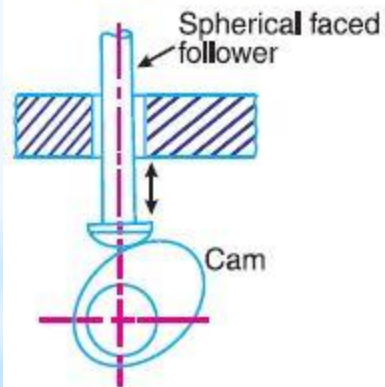
(a) Cam with knife edge follower.



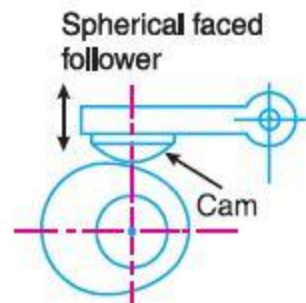
(b) Cam with roller follower.



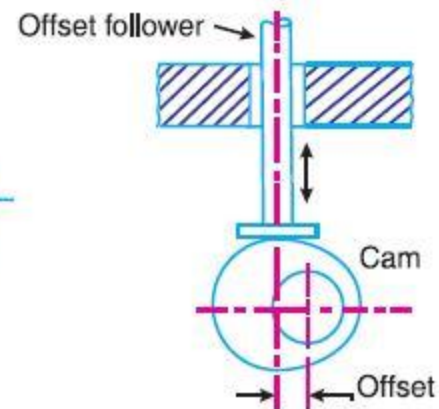
(c) Cam with flat faced follower.



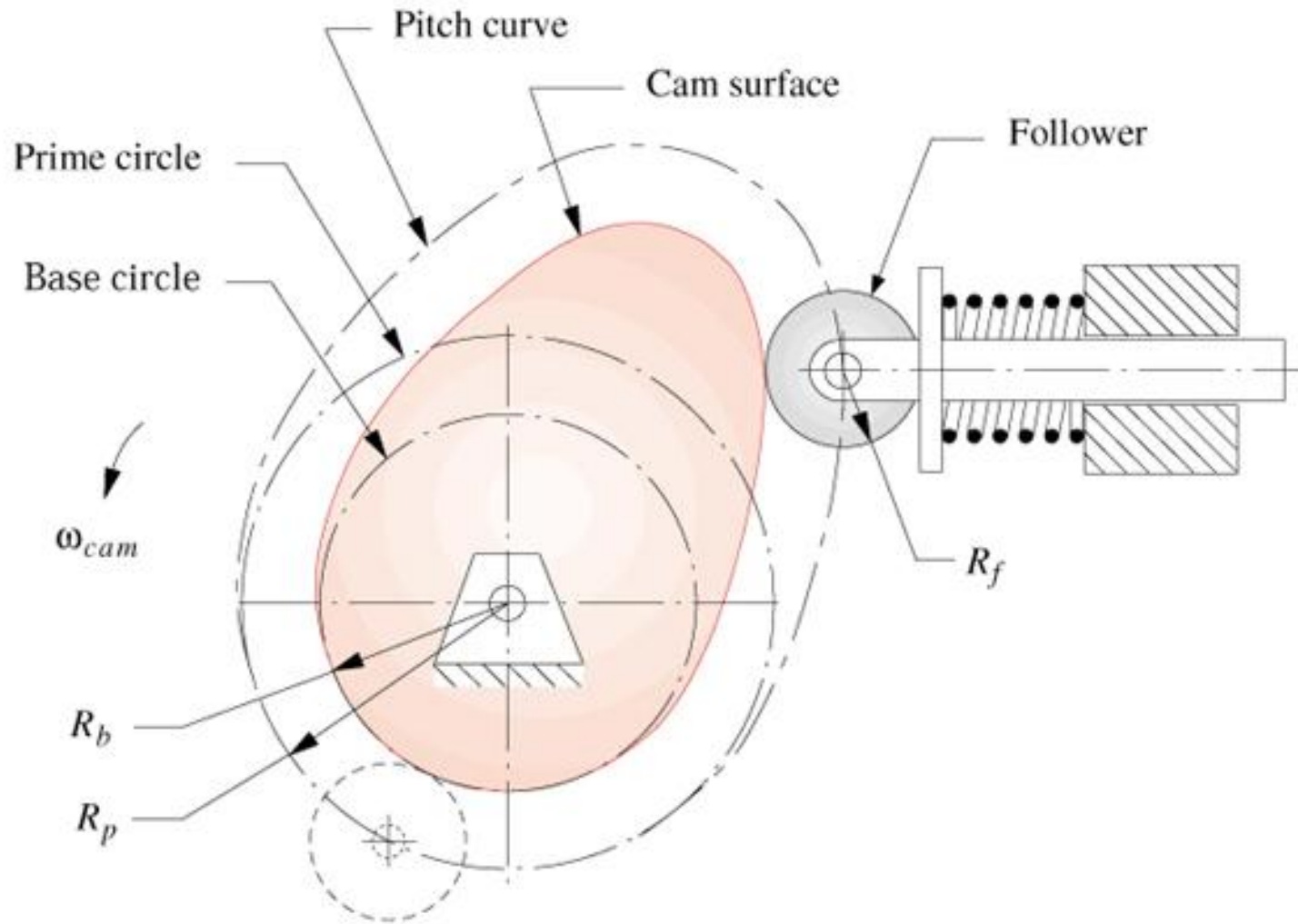
(d) Cam with spherical faced follower.



(e) Cam with spherical faced follower.



(f) Cam with offset follower.





# FOLLOWER MOTION

1. Constant Velocity
2. Constant Acceleration and Retardation
3. Simple Harmonic Motion
4. Cycloidal Motion

